

Fuel High Pressure - 110A

FUEL

Specifications:

- Height:** 5.82" (14.78 cm)
- Width:** 3.20" (8.13 cm)
- Depth:** 3.30" (8.38 cm)
- Weight (Dry):** 2.47 lbs (1.12 kg)
- Ports:** 1/4-18 NPTF
- Fuel Flow Rate:** Diesel - 15 gph (57 lph)
Gasoline - 35 gph (132 lph)
- Max. Pressure:** 100 PSI (689 kPa)
- Service Clearance:** 2.0" (5.1 cm)

Create a Part Number

Mounting Head

4 Fuel Ports
100 PSI Max Pressure
Gasoline or Diesel

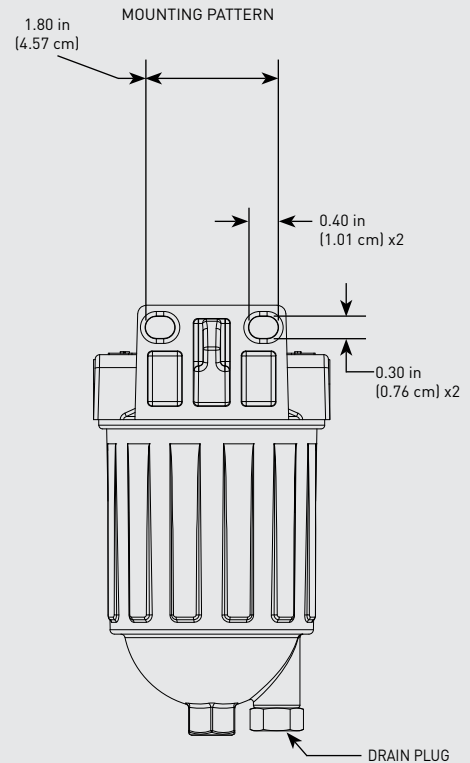
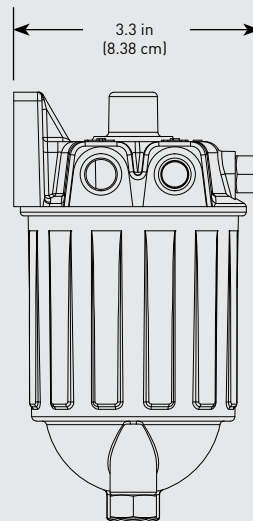
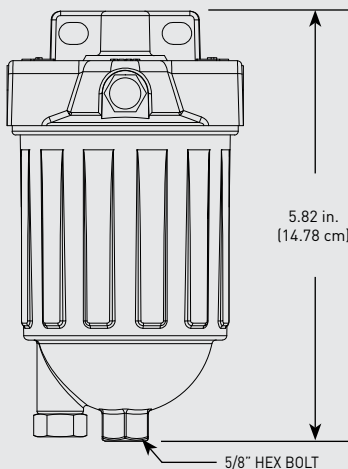
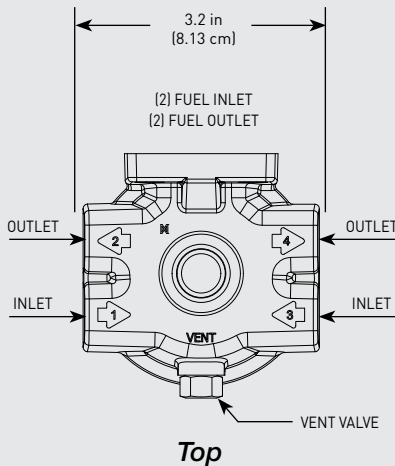
110A

RACOR®

ASSEMBLIES DESCRIPTION

110A Marine Fuel, FF/WS, Metal Housing, 15 gph (Diesel); 35 gph (Gasoline) Flow Rate, 10 Micron Filtration

Dimensions:

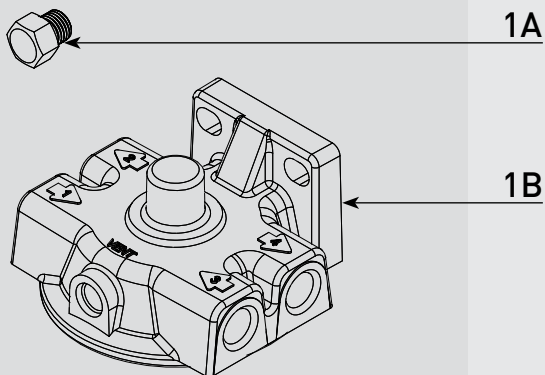


WARNING: The products described in this literature can expose you to chemicals including Diisononyl phthalate, Carbon black extract, which are known to the State of California to cause cancer. For more information go to www.P65Warnings.ca.gov.

PARTS

Fuel High Pressure - 110A

1

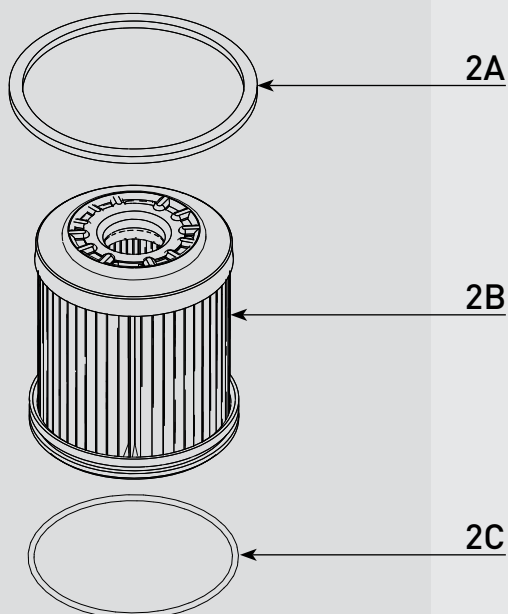


Part #	Description
1A RK 10110	Vent Plug Kit - 3/8-24 SAE Plug
	110A Head Assembly

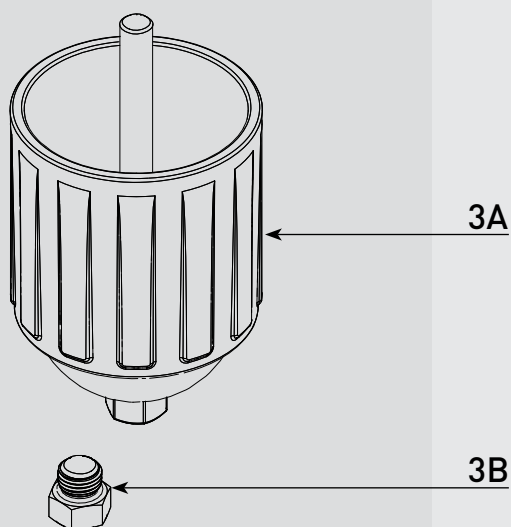
2A	Square Cut Gasket - <i>Included in 2B</i>
2B R11T R11S	110A Replacement Filter - 10 micron - <i>Includes 2A, 2C</i> 110A Replacement Filter - 2 micron - <i>Includes 2A, 2C</i>
2C	Bowl O-ring - <i>Included in 2B & 3A</i>

3A	110A Bowl Assembly
3B	Drain Plug - 1/2-20 SAE Plug

2



3



Online Link
Marine High Pressure Fuel Filter Product Selector

